

Fakuma 2006, Friedrichshafen

17.10. – 21.10.2006
Booth Ferromatik Milacron GmbH
Hall B3/ Booth 9203

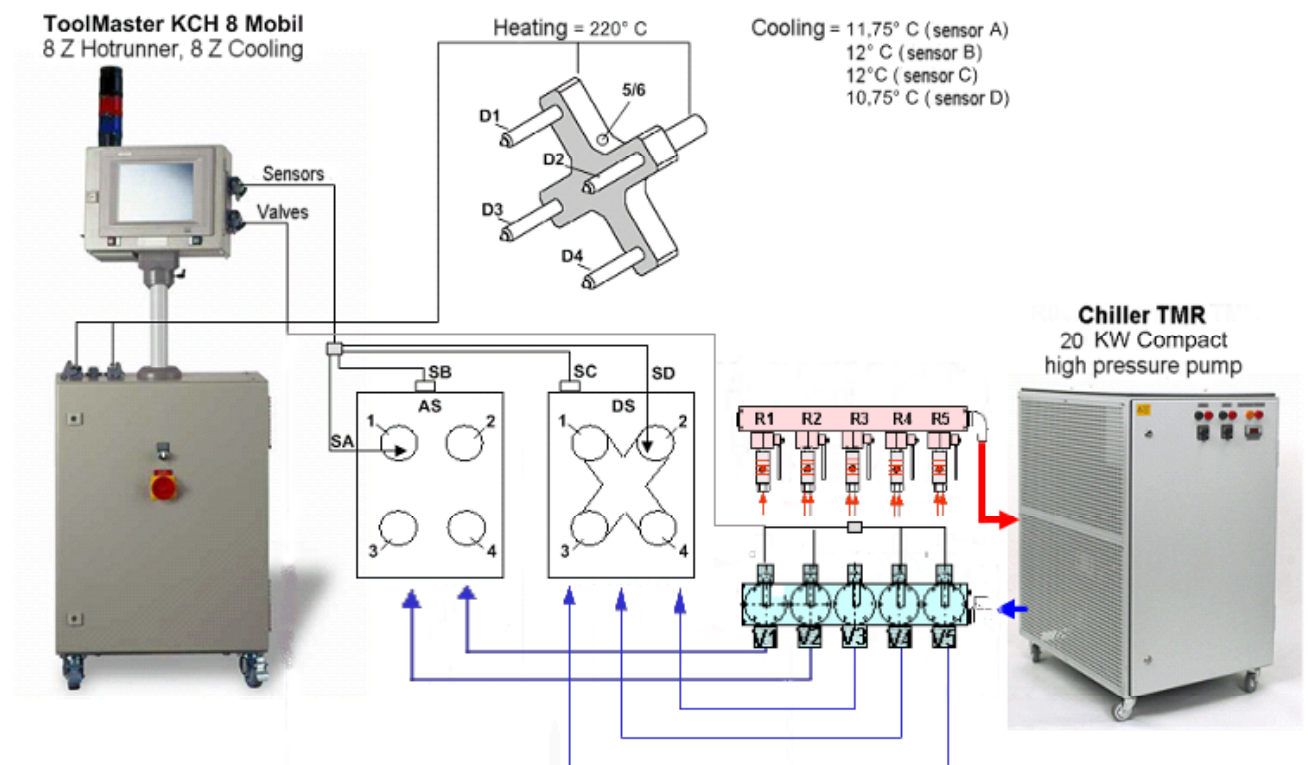


4.1 sec instead of 4.3 sec = approx. 10% reduced cycle time without condensation problems!

Production of Cover from PP with IML (In-Mold-Labeling) with the ToolMaster Complete System on a Ferromatik K-TEC 155 S and the Handling of IML Technologies.

We are showing the production of Covers with IML in a 4-fold mold from the company Schöttli with a reduction in cycle time of approx. 15% (including labelling and taking out the parts) to 3.4 sec. When using a continuous flow tempering method condensation problems occur at an inlet temperature of 12° C. However, with the ToolMaster the dew point in the mold is not reached, even at an inlet temperature of 7° C. This leads to the possibility to use the complete potential of the machine and the robot-system. With the ToolMaster Complete System the flow through the cooling channel is only when heat has to be actually dissipated. Therefore you can use lower temperatures with the advantage of a faster heat removal without having either condensation problems or temperature differences between core and cavity.

The cycle time was calculated beforehand with our C-HETCO software. The total heat exchange is regulated with the ToolMaster KH8 Compact Mobil with a 8 zones hotrunner module in combination with a 8 zones HETCO pulse cooling system as well as an integrated chiller (50 KW). All system components (ToolMaster, chiller, valve module, etc.) have been working trouble free and maintenance free in production for several years. The world-wide patents of our systems (DE-US-UK etc. patents) are responsible for increases in productivity of up to 50%. The temperatures are set and regulated in 0,25 °C steps, the visualization is MS Windows with output of speech for alarms and you can also connect the ToolMaster with your NT networks of possibly communicate via Internet or ISDN. WIEDER has set a new standard in control engineering.



More than 25 DE-, EU-, US-, UK-, JPN-Patents, etc. worldwide!



WIEDER GmbH International
Postfach 1334, D-97403 Schweinfurt, Tel: +49-9721-42733, Fax: +49-9721-44849
www.wieder-international.de

